

R4000 Series

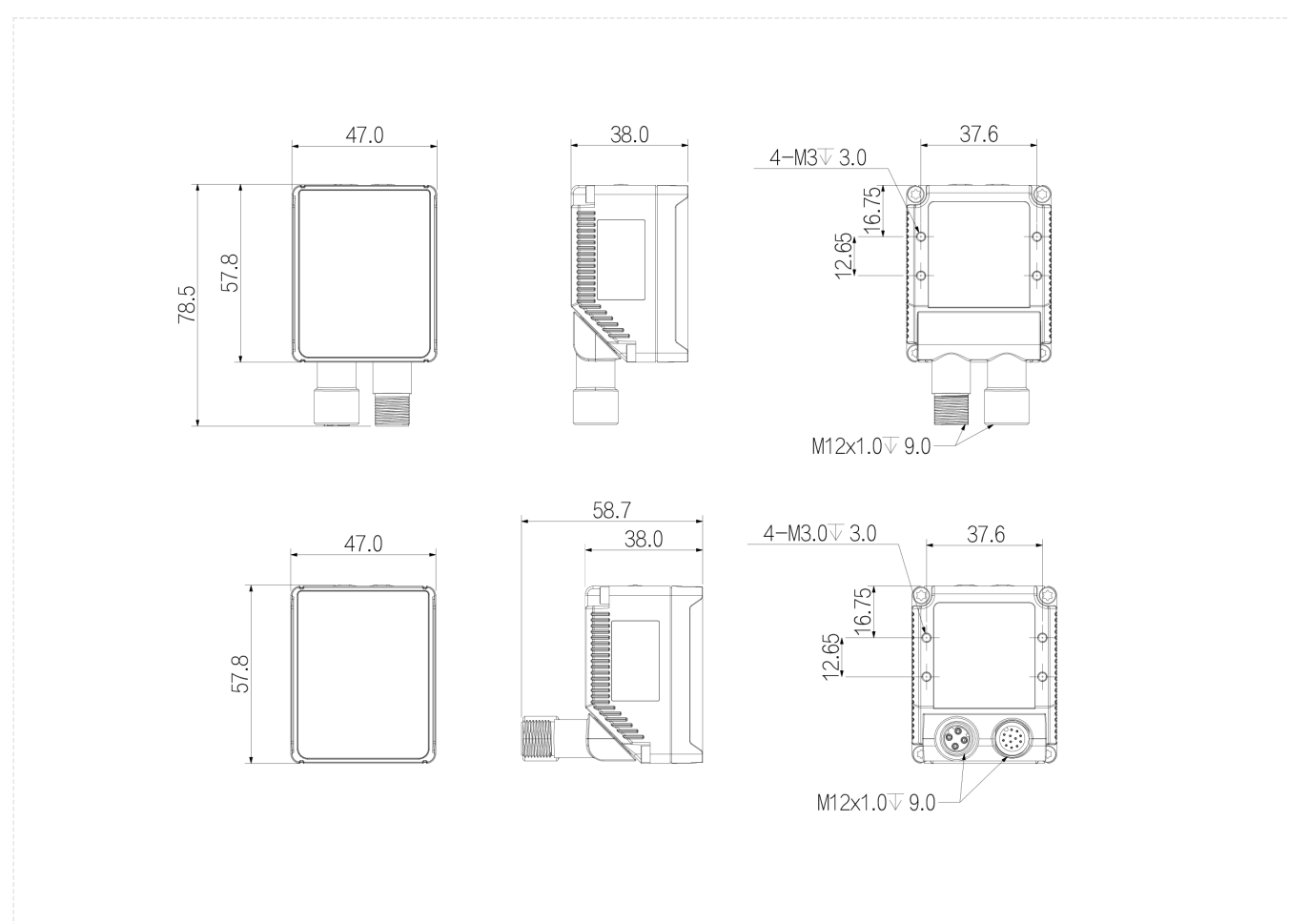
R4013MG-12M-BGG01E



Features

- Light-integrated design makes red/white/blue illumination optional, support control separately
- Support different focal lengths, electrical auto focus and one-click auto training
- 100M Ethernet interface, IP65 protection level
- Abundant IO interfaces such as Ethernet, RS232, GPIO, support multiple communication protocols
- Support various code formats and evaluations of code quality
- Built-in deep-learning based code reading algorithms and multi-parameters polling to ensure effects of complex applications

Dimensions (mm)



Specification

| | | |
|-------------|------------------------|--|
| | Model | R4013MG-12M-BGG01E |
| Basic | Resolution | 1280 × 1024 |
| | Max. Frame rate | 60 fps |
| | Shutter Mode | Global |
| | Lens Mount | M12, auto focus |
| | Trigger Mode | Software trigger/External trigger/Free run modes |
| | Software | EasyID |
| | Function | ID: code 128, code 39, code 93, EAN etc. and 2D: QR/Data Matrix/DPM etc.; Quality Evaluation: ISO/IEC 29158(AIM-DPM), ISO/IEC 15415, ISO/IEC 15416 |
| Performance | Focal Length | 12mm |
| | Operating Distance | 50-500mm |
| | FoV | 64×51 mm (working distance:150mm) |
| | Max. Read Speed | 60 codes/s |
| | Light Source type | Blue (Difused/Polarized/Non-polarized) |
| Port | Connector | 2 Industrial connectors support Ethernet and GPIO |
| | Network Port | 100M Ethernet |
| | GPIO Interface | RS232, 2 Opto-isolated inputs and 3 Opto-isolated outputs |
| | Communication Mode | RS232, Ethernet |
| | Communication protocol | SDK,TCP Client,TCP Server,FTP,RS232,Profinet,Modbus,EtherNet/IP,MC(SLMP),FINS/UDP,FINS/TCP |
| | LED Indicator | Power,Ethernet,Result |
| Power | Power Supply | 9~26V DC, 1.5A input, suitable for industrial environment |
| | Power Consumption | <5W |
| Structure | Product Dimensions | 47mm×58mm×38mm(not including connector) |
| | Net Weight | <180 g |
| | Protection | IP65 |
| | Casing Material | Aluminum alloy + Front cover |
| Environment | Operating Temperature | -20°C ~ +50°C |
| | Operating Humidity | 20% ~ 95%(no condensation) |
| | Storage Temperature | -30°C ~ +70°C |

Connector Pin-out

12 Pin I/O Connector

| Color | Pin | Signal | Description |
|--------------|-----|-------------|--------------------------|
| Brown white | 1 | OPT_OUT2 | Opto-isolated output2 |
| Grey | 2 | RS232_TXD | RS232 serial send |
| Purple | 3 | RS232_RXD | RS232 serial receive |
| Black white | 4 | SIGNAL_GND | RS232 serial GND |
| Yellow | 5 | OPT_IN1 | Opto-isolated input1 |
| Purple white | 6 | OPT_IN_GND | Opto-isolated input GND |
| Red | 7 | POWER | Power supply |
| Black | 8 | POWER_GND | Power supply GND |
| Green | 9 | OPT_OUT_GND | Opto-isolated output GND |
| Orange | 10 | OPT_IN0 | Opto-isolated input0 |
| Blue | 11 | OPT_OUT0 | Opto-isolated output0 |
| Brown | 12 | OPT_OUT1 | Opto-isolated output1 |
| White | - | - | Shield GND |

